

Measures the distance to discontinuity points of 50/75 ohm cable exactly.



< MSA438TG + MA430 >



< MA430 >

Specification

Distance range : 0.3~1000m@50Ωcable
1~800m@75Ωcable

Cable characteristics list : 111 kinds of cables@50Ω
11 kinds of cables@75Ω

※ The kind of cable will be added to the list further.

Feature

- It is possible to measure the distance to discontinuity point or the length of the cable under test. (※①)
- The cable characteristics list is attached. Even a beginner can operate easily. (※②)
- The measurement result is stored by CSV format, and can be confirmed with the dedicated PC software. (※③)

※① The setup parameters are just length, relative propagation velocity and attenuation per one meter of the cable under test. After setting these parameters, the most suitable center frequency and frequency span are set automatically.

※② By reading out the attached cable characteristics list from USB memory, the characteristics value is set easily. Moreover, the user can edit this list and make 300 kinds of data in the maximum.

※③ The measurement result (waveform and parameters) is stored by CSV format in USB memory. Moreover, it can be browsed by the dedicated PC software.

Measurement of discontinuity points

1. Read out the cable characteristics from USB memory.



2. Set the rough value of distance to discontinuity point or cable length.



3. Press the "CF/SPAN : Auto" key.

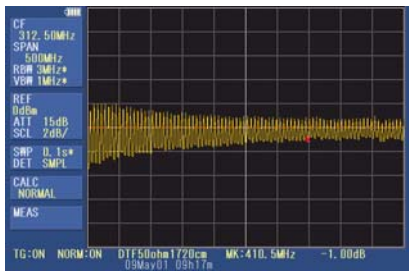


4. Equip with the terminator.



5. Execute the normalization.

6. Remove the terminator and connect the cable under test.



A waveform on frequency domain is observed.

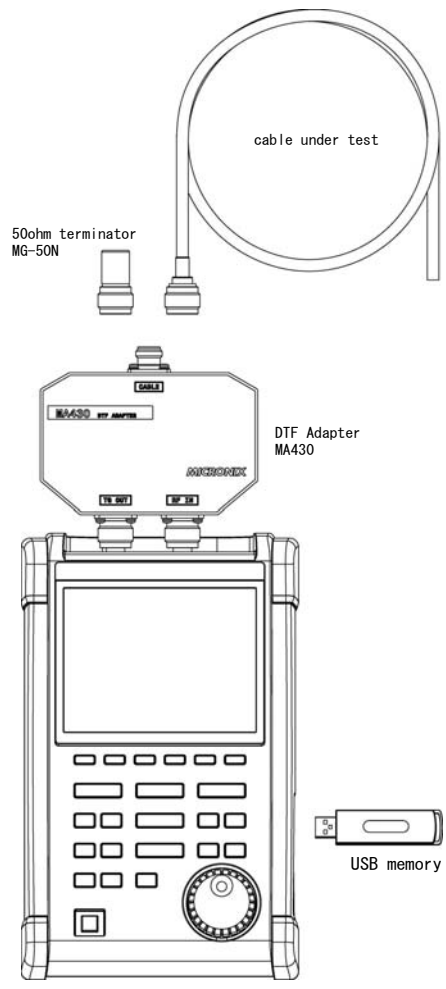


7. Switch the mode to the distance domain.



A waveform on distance domain is observed.

Connection



Necessities of DTF measurement

This function is an option of MSA438TG and the following components are necessary.

	50 Ω cable	75 Ω cable
Spectrum Analyzer (MSA438TG)	○	○
DTF Adapter (MA430)	○	○
Firmware (factory option) (DTF/FW)	○	○
50 Ω terminator (MG-50N)	○	
75 Ω measurement kit (MK430)		○

※ The 75 Ω measurement kit consists of 50 Ω/75 Ω adapter (MA310, 10 to 1000MHz), 75 Ω terminator (MG-75F) and coaxial cable (MC313, (N(P)/BNC(P))).